



1500 Cherokee Parkway, Suite 100, Acworth, GA 30102
 P: 866-845-5451 • F: 866-816-6165
 E: service@acclaim-lighting.com • www.acclaim-lighting.com

by Acclaim Lighting

TP30122 INSTALLATION INSTRUCTIONS

Please read carefully and save these instructions, as you may need them at a later date.

CAUTION

WARNING: Risk of Fire. Consult a qualified electrician to ensure correct branch circuit conductor. Min 90°C supply conductors.

Turn off the main power at the circuit breaker before installing the fixture, in order to prevent possible shock.

GENERAL

All electrical connections must be in accordance with local and National Electrical Code (N.E.C.) standards. If you are unfamiliar with proper electrical wiring connections obtain the services of a qualified electrician.

Remove the fixture and the mounting package from the box and make sure that no parts are missing by referencing the illustrations on the installation instructions.

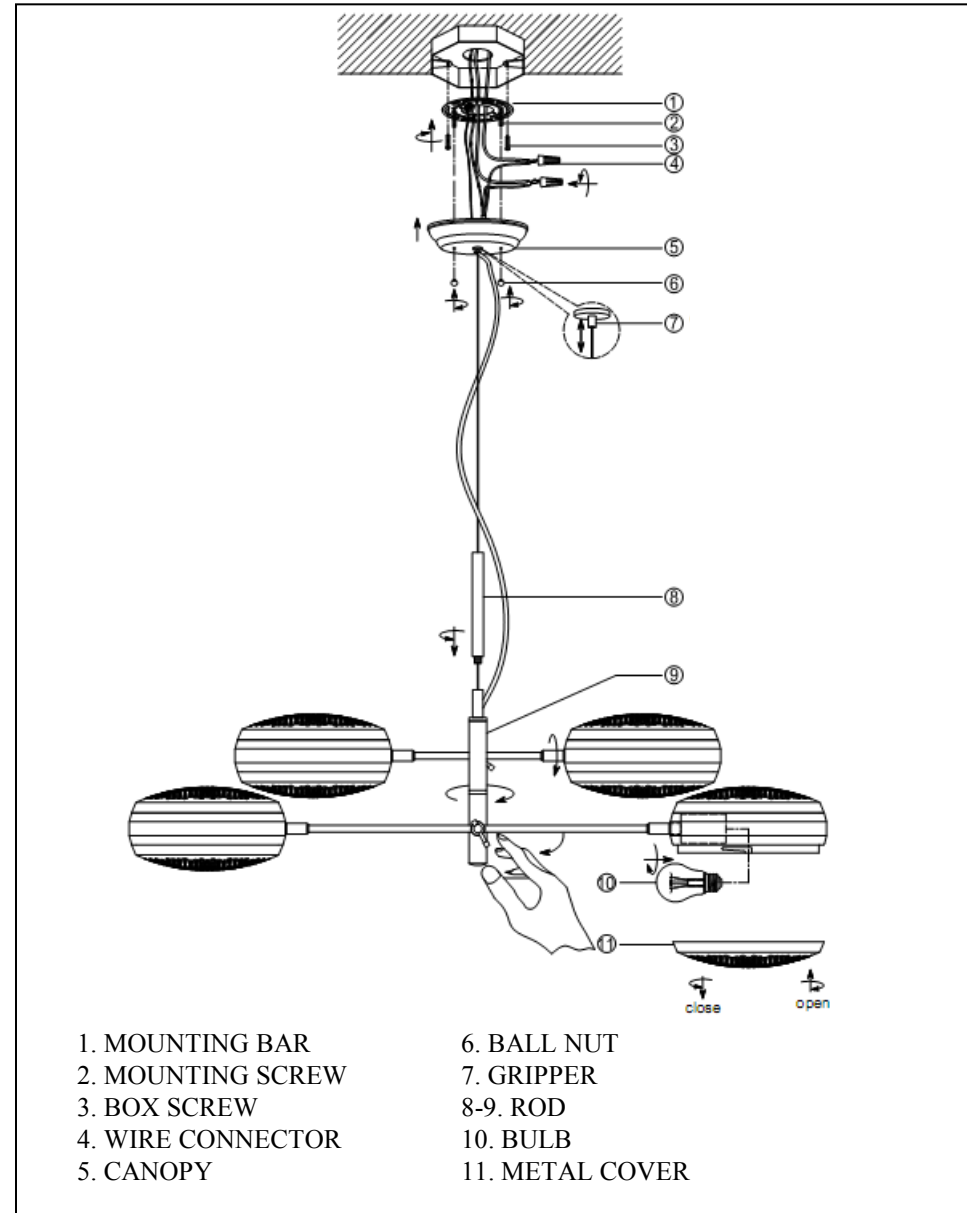
ASSEMBLY AND INSTALLATION

1. Secure the mounting bar(1) to the outlet box with box screws(3).
2. Pull out the outlet wire and ground wire from the outlet box. Make wire connections with Wire Connector(4)
 - Black wire from light to Black wire from power source.
 - White wire from light to White wire from power source.
 - Loop the ground wire to mounting bar(1) and secure with a ground screw.
3. Attach the canopy(5) against the outlet box, secure with the ball nut(6) and mounting screw(2).
4. Remove the metal cover(11) to insert bulb (10, not included) into socket.
5. Replace the metal cover(11).

Do not exceed maximum suggested wattage - Max.60W

DO NOT USE BARE HANDS TO TOUCH THE BULB.

INSTALLATION IS NOW COMPLETE



1. MOUNTING BAR
2. MOUNTING SCREW
3. BOX SCREW
4. WIRE CONNECTOR
5. CANOPY

6. BALL NUT
7. GRIPPER
- 8-9. ROD
10. BULB
11. METAL COVER