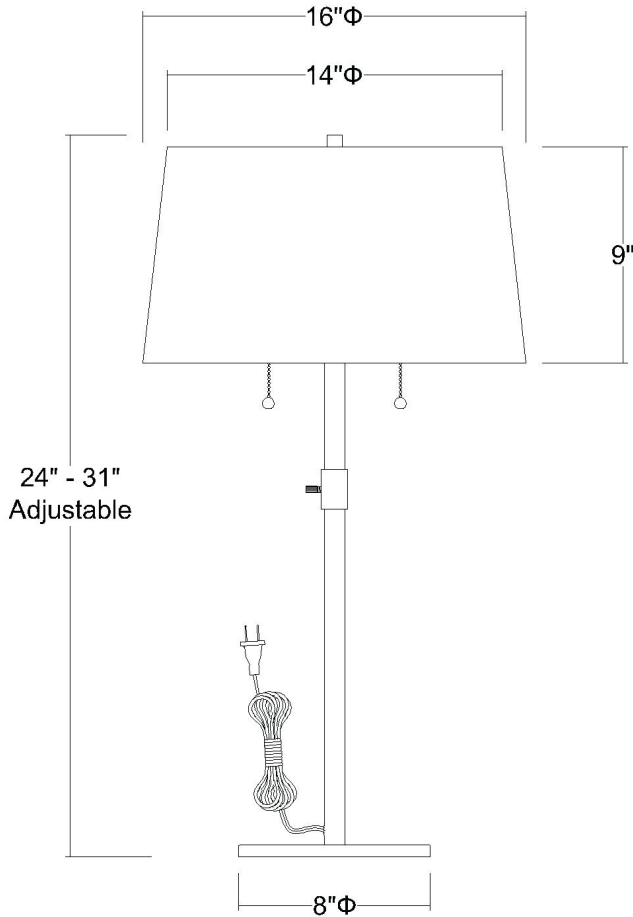


# TTB420-26

## URBAN BASIC TABLE LAMP



<b>Description:</b>	Urban basic table lamp
<b>Finish:</b>	Polished chrome
<b>Dimensions:</b>	24" - 31" H x 16" W
<b>Bulbs:</b>	2 x 60W Med.
<b>Shade:</b>	Off-white linen shantung
<b>Installed Weight:</b>	7.5 lbs.
<b>Certification:</b>	c UL

<b>Material:</b>	Steel and fabric
<b>Glass:</b>	NA
<b>Back Plate Dimensions:</b>	NA
<b>Switch:</b>	On/off pull chain
<b>Cord:</b>	Silver, 6' plug-in
<b>Dimmable:</b>	Yes