



1500 Cherokee Parkway, Suite 100, Acworth, GA 30102  
P: 866-845-5451 • F: 866-816-6165  
E: service@acclaim-lighting.com • www.acclaim-lighting.com

by Acclaim Lighting

## TW40071AB

# INSTALLATION INSTRUCTIONS

Please read carefully and save these instructions, as you may need them at a later date.

### CAUTION

**WARNING:** Risk of Fire. Consult a qualified electrician to ensure correct branch circuit conductor. Min 90°C supply conductors.

Turn off the main power at the circuit breaker before installing the fixture, in order to prevent possible shock.

### GENERAL

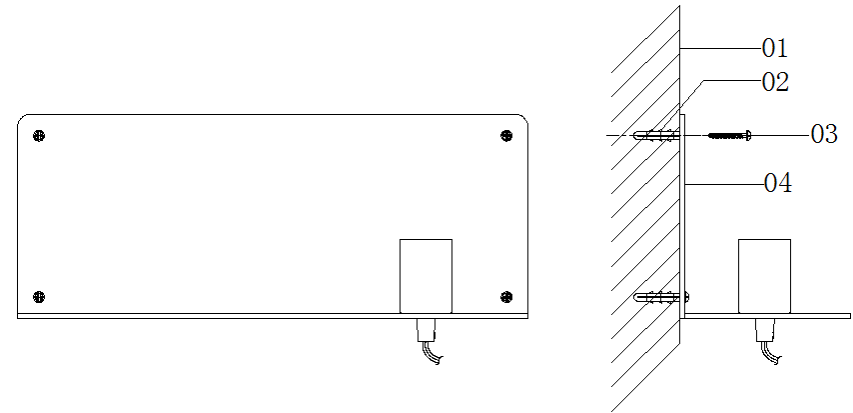
All electrical connections must be in accordance with local and National Electrical Code (N.E.C.) standards. If you are unfamiliar with proper electrical wiring connections obtain the services of a qualified electrician.

Remove the fixture and the mounting package from the box and make sure that no parts are missing by referencing the illustrations on the installation instructions.

## ASSEMBLY AND INSTALLATION

1. Put back plate (04) against wall (01) and mark the 4 hole locations on wall (01).
2. Drill the holes on the marked locations and put anchors (02) in.
3. Align the holes on back plate (04) to the 4 anchors (02) and thread mounting screws (03) into anchors (02).
4. Install bulb (not included) **DO NOT EXCEED THE SPECIFIED WATTAGE.**

INSTALLATION IS NOW COMPLETE



- 01. WALL
- 02. ANCHOR
- 03. MOUNTING SCREW
- 04. BACK PLATE