



by Acclaim Lighting

1500 Cherokee Parkway, Suite 100, Acworth, GA 30102
P: 866-845-5451 • F: 866-816-6165
E: service@acclaim-lighting.com • www.acclaim-lighting.com

TW40080

INSTALLATION INSTRUCTIONS

Please read carefully and save these instructions, as you may need them at a later date.

CAUTION

WARNING: Risk of Fire. Consult a qualified electrician to ensure correct branch circuit conductor. Min 90°C supply conductors.

Turn off the main power at the circuit breaker before installing the fixture, in order to prevent possible shock.

GENERAL

All electrical connections must be in accordance with local and National Electrical Code (N.E.C.) standards. If you are unfamiliar with proper electrical wiring connections obtain the services of a qualified electrician.

Remove the fixture and the mounting package from the box and make sure that no parts are missing by referencing the illustrations on the installation instructions.

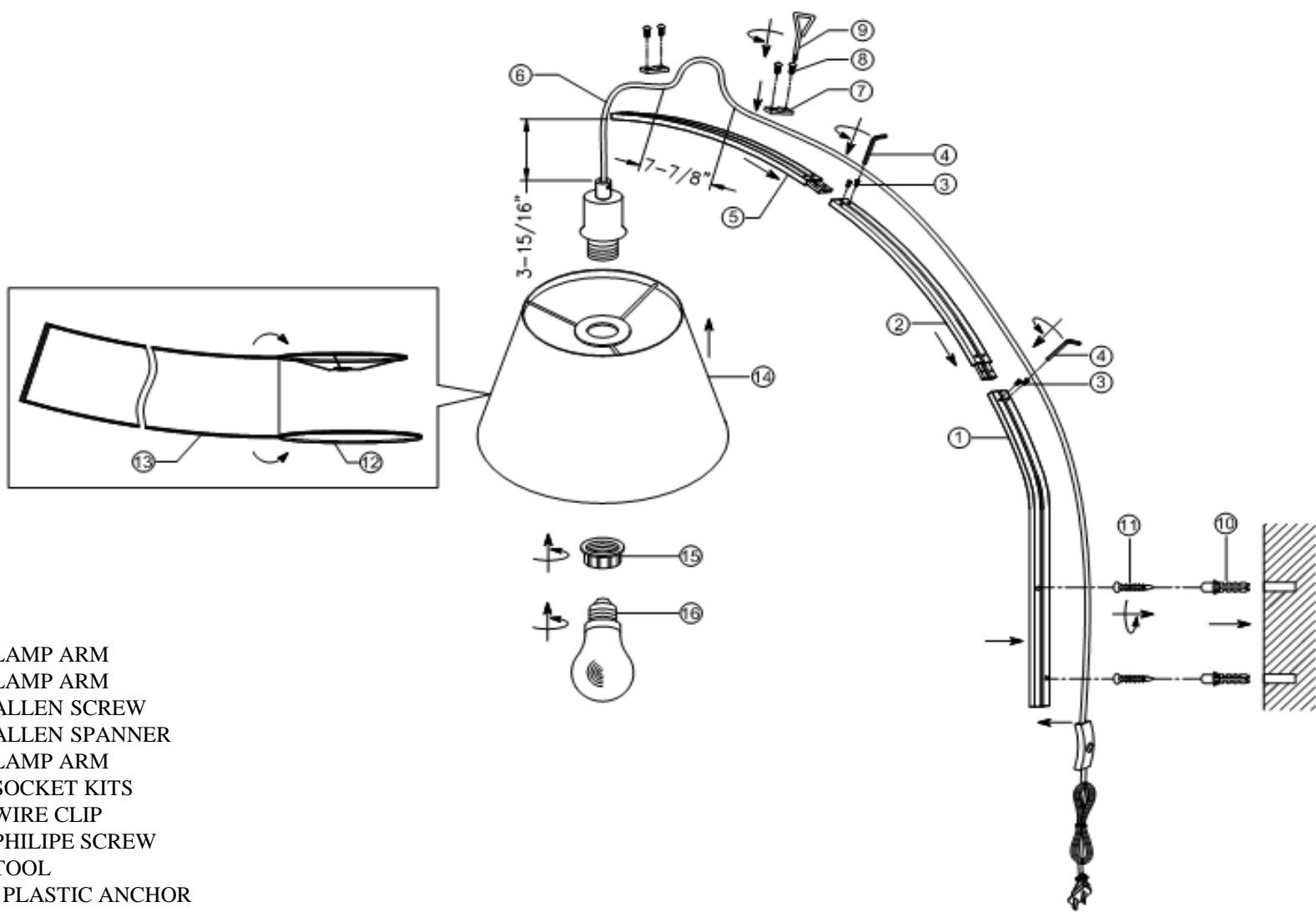
ASSEMBLY AND INSTALLATION

1. Assemble the lamp arms (1/2/5) with allen screw(3).
2. Tuck the socket kits(6) into the groove of lamp body and secure with wire clip(7) and Phillipe screw (8).
3. Make two ¼" holes in wall, insert plastic anchors(10) into holes and then self-tapping screws (11) into anchors.
4. Assemble the shade sheet(13) and rack(12) to make lamp shade(14).
5. Put the shade (14) over the socket and secure it with the socket ring(15).
6. Install the bulb (16, not included) into the socket.

Do not exceed maximum suggested wattage - Max.60W

**DO NOT USE BARE HANDS TO TOUCH THE BULB.
INSTALLATION IS NOW COMPLETE**

See the details on the back side



1. LAMP ARM
2. LAMP ARM
3. ALLEN SCREW
4. ALLEN SPANNER
5. LAMP ARM
6. SOCKET KITS
7. WIRE CLIP
8. PHILIPSE SCREW
9. TOOL
10. PLASTIC ANCHOR
11. SELF-TAPPING SCREW
12. RACK
13. SHADE SHEET
14. SHADE
15. SOCKET RING
16. BULB